

F10CS2

Filter in AISI 316L



DESCRIPTION

In-line filters are designed to protect the most sensitive downstream control and regulation components. They trap impurities in the fluid thanks to 5 or 50 µm sintered filter elements.

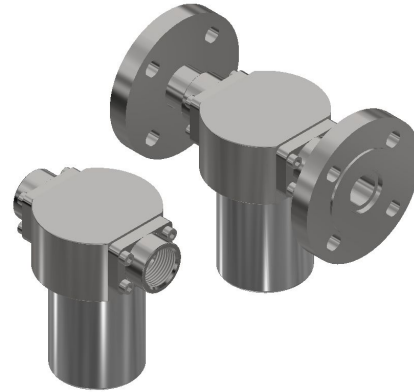
Cartridge is fully removable for inspection and thorough cleaning.

Body and inner parts are made of 316L stainless steel with excellent corrosion resistance.

Panel mounting with bracket available.

Degreased for oxygen use and pure gases versions available.

Applications: pneumatics, industry, pharmaceutical, chemical, oil & gas, energy and food.



TECHNICAL DATA

MAXIMUM INLET PRESSURE	Threaded version 60 bar Flanged version as per specific standard
IN/OUT CONNECTIONS	3/4" • 1" (G-F / NPT-F) Flanged (UNI EN 1092-1 // ASME B16.5) Clamp (upon request)
FILTRATION DEGREE	5µm • 50µm
MATERIAL	Body - AISI 316L Inner parts - AISI 316L
TEMPERATURE	-25°C → +200°C FPM -40°C → +175°C EPDM Other temperatures upon request
FLUIDS	Gases • Liquids
WEIGHT	3,3 kg (threaded version)
CERTIFICATES	PED 2014/68/UE
ACCESSORIES	Bracket
SPARE PARTS KIT	Wear parts

DIMENSIONAL DRAWINGS

