

# M38BS1

## High pressure industrial manifold in brass



### DESCRIPTION

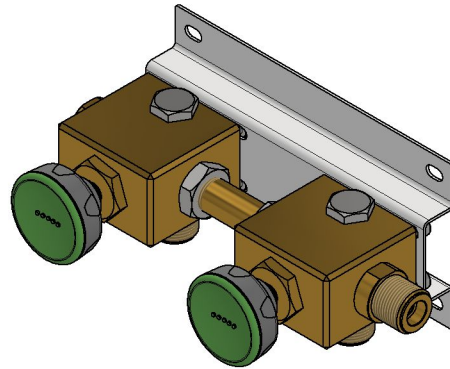
Manifolds allow multiple cylinders or cylinder packs to be connected in parallel to decompression devices in order to increase gas delivery range.

Devices are modular and come with a bracket for wall mounting.

Each valve is equipped with a non-return device and additional pressure port for mounting bleed valves or pressure switches.

Degreased for oxygen use and pure gases versions available.

Applications: fire-fighting and industry.



### TECHNICAL DATA

<b>MAXIMUM INLET PRESSURE</b>	250 bar
<b>CONNECTIONS</b>	W21,7×1/14 – M • W20×1/14 SX – M
<b>MATERIAL</b>	Brass - brass Inner parts - brass
<b>INLETS</b>	2 inlets Other configurations upon request
<b>TEMPERATURE</b>	-20°C → +80°C Other temperatures upon request
<b>FLUIDS</b>	Gases
<b>WEIGHT</b>	1,5 kg (1 inlet) • 3 kg (2 inlets)
<b>CERTIFICATES</b>	PED 2014/68/UE
<b>ACCESSORIES</b>	Bleed valve, pressure switch
<b>SPARE PARTS KIT</b>	Wear parts

### DIMENSIONAL DRAWINGS

