

BP12CS3 Third stage back pressure valve in AISI 316L

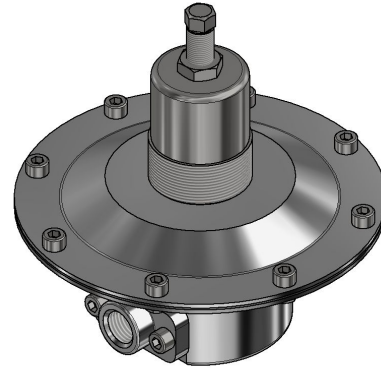


DESCRIPTION

Third stage back pressure valves find application in systems that require downstream pressure control in mbar.

They discharge excess gas to the outside when the pressure at the control point exceeds the set pressure. Pressure is controlled by a diaphragm that ensures precision and repeatability of regulation. Body and inner parts are made of 316L stainless steel. Panel mounting with bracket available. Degreased for oxygen use and pure gases versions available.

Applications: pneumatics, industry, pharmaceutical, chemical, oil & gas, energy and food.



TECHNICAL DATA

MAXIMUM INLET PRESSURE	7 bar
IN/OUT CONNECTIONS	1/4" • 1/2" (G-F / NPT-F) Flangiati (UNI EN 1092-1 // ASME B16.5) Clamp (upon request)
SETTING RANGE	0 → 100 mbar • 0 → 1000 mbar
KV (CEI EN 60534-2)	1,5 m ³ /h
MATERIAL	Body - AISI 316L Inner parts - AISI 316L
TEMPERATURE	-25°C → +130°C Other temperatures upon request
FLUIDS	Gases
WEIGHT	1,6 kg (threaded version)
CERTIFICATES	PED 2014/68/UE • ATEX 2014/34/EU
ACCESSORIES	Bracket
SPARE PARTS KIT	Wear parts

DIMENSIONAL DRAWINGS

