

# BP12CS3 Third stage back pressure valve in AISI 316L

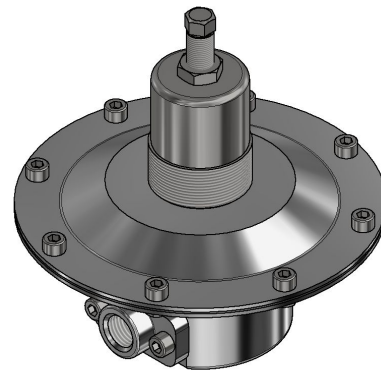


## DESCRIPTION

Third stage back pressure valves find application in systems that require downstream pressure control in mbar.

They discharge excess gas to the outside when the pressure at the control point exceeds the set pressure. Pressure is controlled by a diaphragm that ensures precision and repeatability of regulation. Body and inner parts are made of 316L stainless steel. Panel mounting with bracket available. Degreased for oxygen use and pure gases versions available.

Applications: pneumatics, industry, pharmaceutical, chemical, oil & gas, energy and food.



## TECHNICAL DATA

<b>MAXIMUM INLET PRESSURE</b>	7 bar
<b>IN/OUT CONNECTIONS</b>	1/4" • 1/2" (G-F / NPT-F) Flanged (UNI EN 1092-1 // ASME B16.5) Clamp (upon request)
<b>SETTING RANGE</b>	0 → 100 mbar • 0 → 1000 mbar
<b>KV (CEI EN 60534-2)</b>	1,5 m <sup>3</sup> /h
<b>MATERIAL</b>	Body - AISI 316L Inner parts - AISI 316L
<b>TEMPERATURE</b>	-25°C → +130°C Other temperatures upon request
<b>FLUIDS</b>	Gases
<b>WEIGHT</b>	1,6 kg (threaded version)
<b>CERTIFICATES</b>	PED 2014/68/UE • ATEX 2014/34/EU
<b>ACCESSORIES</b>	Bracket
<b>SPARE PARTS KIT</b>	Wear parts

## DIMENSIONAL DRAWINGS

