

# R20BS2

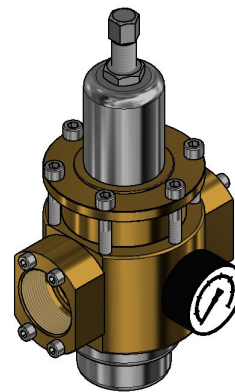
## Pressure reducing valve in brass



### DESCRIPTION

Self-actuated reducing valves manage downstream pressure without requiring pneumatic or electrical control elements. Pressure is controlled by a piston that, together with a balanced shutter, ensure precision and repeatability of regulation. Body is made of brass while inner parts of stainless steel with excellent mechanical resistance. Panel mounting with bracket available. Device can be supplied with relieving function. Degreased for oxygen use and pure gases versions available.

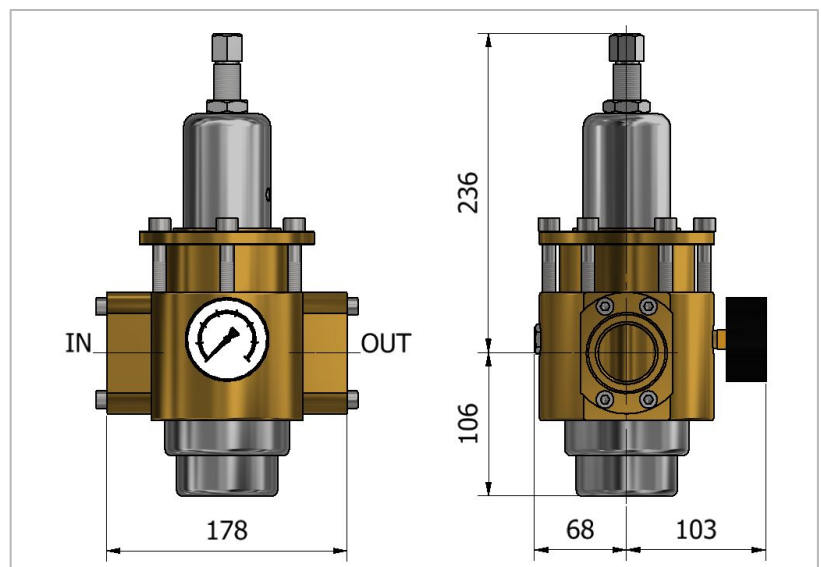
Applications: automotive, pneumatics and industry.



### TECHNICAL DATA

MAXIMUM INLET PRESSURE	60 bar
SETTING RANGE	0,2 → 3 bar • 0,5 → 8 bar • 1,5 → 15 bar 2 → 30 bar • 3 → 50 bar
IN/OUT CONNECTIONS	1"1/2 • 2" (G-F / NPT-F)
GAUGE CONNECTIONS	1/4" G-F
KV (CEI EN 60534-2)	25 m3/h
MATERIAL	Body - brass Inner parts - stainless steel
TEMPERATURE	-20°C → +80°C Other temperatures upon request
FLUIDS	Gases • Liquids
WEIGHT	4,3 kg
CERTIFICATES	PED 2014/68/UE
ACCESSORIES	Bracket
SPARE PARTS KIT	Wear parts

### DIMENSIONAL DRAWINGS



### FLOW CHARTS

